

Mariak

2" Hardwood Horizontal Blinds

January 2021 V1

Horizontal Blind Measuring & Ordering Instructions

Selecting the Type of Mounting:

Determine whether the blind is going to be installed inside the window frame (IB) or outside the window frame (OB).

Inside Mount (IB):

Inside mount installations are often preferred because the blinds take up less space in the room.

Measuring the Width and the Length for Inside Mount:

For the width, measure across the top, middle, and bottom of the window opening. Using the narrowest dimension, measure to the nearest $\frac{1}{8}$ ".

For the length, measure the up and down dimension on the left, center, and right. Use the longest length measurement, measuring to the nearest $\frac{1}{8}$ ".

Do not make any width deductions. The factory will make any appropriate deductions ($\frac{1}{2}$ " standard deduction on width for inside mount).

Outside Mount (OB):

Outside mount installations are mounted on the wall or on the window molding. It is best to overlap the window opening at least $1\frac{1}{2}$ " on each side when measuring for horizontal blinds.

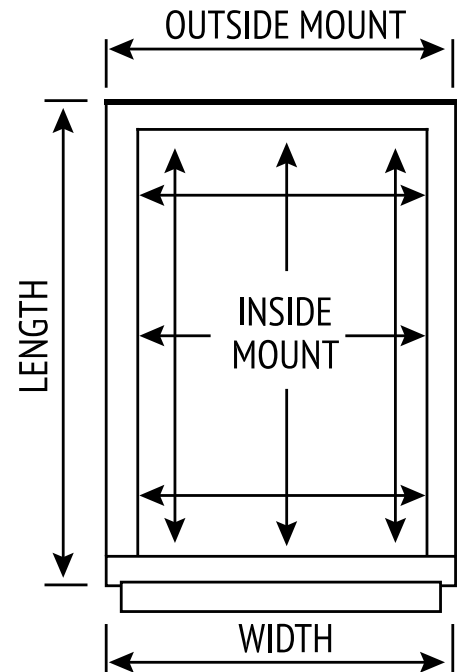
Measuring the Width and the Length for Outside Mount:

Measure the area that the blind is to cover. For horizontal blinds it is recommended to overlap the window opening by at least $1\frac{1}{2}$ " on each side for a total of 3 ". To allow for enough space for the mounting brackets and to cover the bottom of the window, the suggested overlap for a horizontal blind is at least 3 " ($1\frac{1}{2}$ " above the window opening and $1\frac{1}{2}$ " below the opening). If the window opening has a sill, measure from where the top of the blind will be located to the top of the windowsill.

Note: When outside mount blinds are specified, no factory deductions are taken.

Confirming Measurements:

The most common error in ordering blinds is reversing the width and the length measurements. Always confirm that the width is the measurement that goes across from left to right and that the length is the measurement that goes from top to bottom. List the width measurement first (W x L).

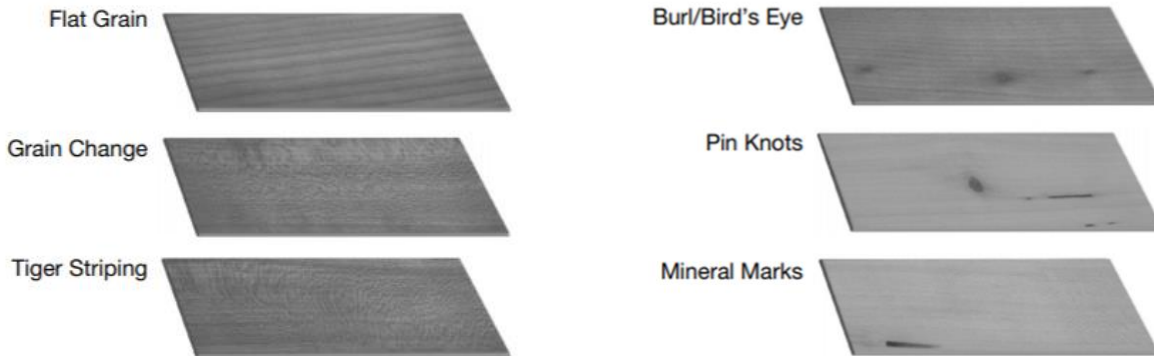


Natural Beauty of Wood

Wood used to produce wood blinds has many natural characteristics that make it truly one of a kind. The following are natural characteristics and are not considered defects.

- Grain – the direction, size and appearance of wood fibers can vary greatly depending on where the wood is cut within the tree
- Tiger Striping – occurs when a tree develops wavy grain, due to genetics, soil content or other natural scenarios
- Burl – formed from an irregular growth on the outer edge of the tree
- Bird's Eye – small area on the surface of the board where fibers are contorted to form a circular figure that resembles a bird's eye
- Pin Knots – vary in size, shape, structure and color
- Mineral Marks – dark or discolored areas caused by minerals which the tree extracts from the water or soil; can be either a streak or a stain, usually blackish blue in color

These marking in no way effect the durability or the structural integrity of the blind. Natural variations in color and grain are inherent in the beauty of wood. These variations are within established industry guidelines and should be expected. Blinds may stain slightly darker or lighter than the swatches shown in sampling.

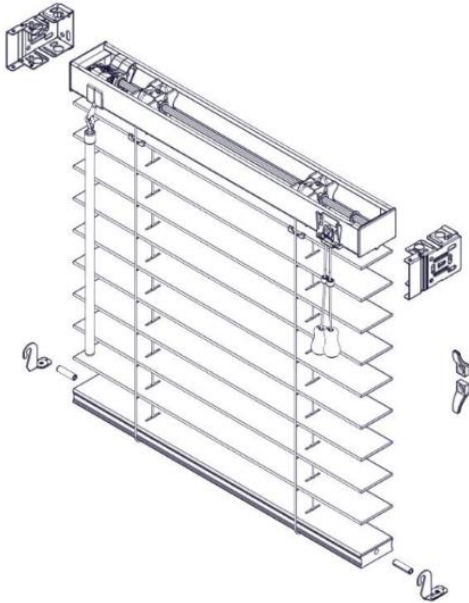


Assortment & Cloth Tape

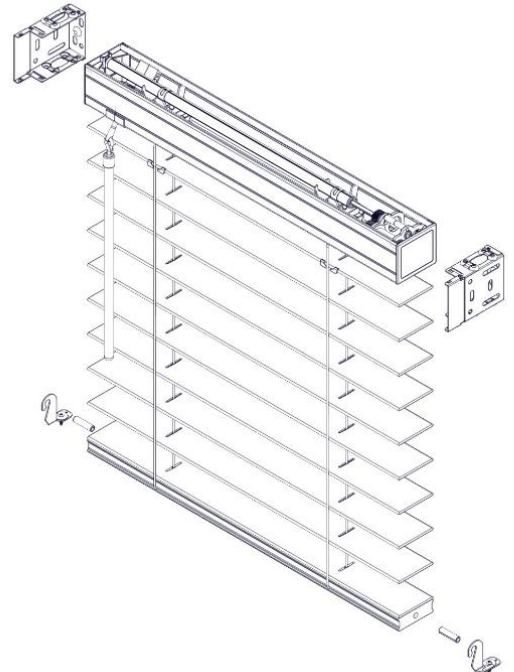
Mariak Color Name & Number		Finish
Amber	P1465	Stain
Black Swan	P1690	Stain
Chipotle	P1546	Stain
Clove	P1825	Stain
Cordovan Brown	P1641	Stain
Earl Grey	P1058	Stain
Fresh Cream	P1052	Paint
Genuine Grey	P1841	Paint
Grey Heron	P1817	Paint
Morning Fog	P1852	Stain
Mulled Wine	P1759	Stain
Raw Almond	P1007	Stain
Simply White	P1051	Paint
Spring Fawn	P1045	Stain
Summer White	P1055	Paint
White Swan	P1840	Paint
Winter White	P1963	Paint

Privacy Cloth Tape Colors	
001 Fawn	105 Duck White
002 Dark Beige	430 Butternut
005 Chocolate	504 Guacamole
006 Black	685 Deep Blue
007 Mulberry	822 Pewter
100 White	

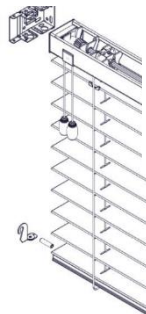
2" Corded Hardwood Blind



2" Cordless Hardwood Blind



**Cord Tilt Control
Optional**



Product Specifications

- All blinds come standard with Wand Tilt (Cord Tilt optional)
 - Lift cord and Tilt cord length will be $\frac{1}{3}$ the blind length. Special cord lengths are available upon request at time of order.
- $\frac{1}{2}$ " deduction taken on all Inside Mount blinds
- Light gap between blinds for 2 on 1 or 3 on 1 is $\frac{1}{4}$ " for standard route and cordless and $\frac{1}{2}$ " for routeless privacy
- 3 on 1 only available with 2" cordless option
- Slat alignment cannot be guaranteed
- Solid hardwood rectangular bottomrail
- Routeless Privacy (not available with cordless lift system or with cloth tapes)
- Cloth tapes (not available with cordless lift system or routeless privacy options)
- 3 $\frac{1}{2}$ " decorative valance included
- **2" Corded Wood Horizontals:**
 - Minimum Width = 8" exact
 - Blinds less than 12" in width must have a center tilt mechanism with NO Lift control
 - Blinds less than 16 $\frac{1}{8}$ " and greater than 11 $\frac{1}{8}$ " must have split controls (Standard – Left/Right or Reverse – Right/Left)
 - Blinds greater than 16 $\frac{1}{8}$ " may have same side control or split controls
 - Cloth tapes not available on blinds less than 9" exact
 - Maximum Width = 96" exact single panel, 120" multiple blinds on one headrail
 - See price grid for single blind size restrictions
 - Minimum Height = 12" exact
 - Maximum Height = 120"
 - Mounting Depth Requirements
 - Minimum depth = $\frac{3}{4}$ "
 - Minimum flush mount without valance =
 - 2 $\frac{5}{8}$ " with Cord Tilt
 - 3 $\frac{3}{8}$ " with Wand Tilt
 - Minimum flush mount with valance =
 - 3 $\frac{1}{2}$ " with Cord Tilt
 - 4 $\frac{1}{4}$ " with Wand Tilt
- **2" Cordless Wood Horizontals:**
 - Minimum Width = 12" exact
 - Maximum Width = 84" (single blind), 120" multiple blinds on one headrail
 - Minimum Height = 12"
 - Maximum Height = 86"
 - Maximum Square Footage (square feet) = 50 sq.'
 - Mounting Depth Requirements
 - Minimum depth = $\frac{3}{4}$ "
 - Minimum flush mount without valance = 2 $\frac{3}{4}$ "
 - Minimum flush mount with valance = 4"
 - 2-on-1 Headrail, see Option Pricing for surcharge
 - 3-on1 Headrail, see Option Pricing for surcharge
 - Cloth Tape NOT Available with Cordless Lift System
 - **Routeless NOT available Cordless Lift System**
 - **Cut-outs NOT available with Cordless Lift System**

Product Specifications

Control Location Option:

Standard:	Tilter Left/Lift Cords Right
Reverse:	Tilter Right/Lift Cords Left
Same Left:	Tilter Left/Lift Cords Left
Same Right:	Tilter Right/Lift Cords Right
Blinds less than 12" in width must have center tilt mechanism	
Blinds less than 16 1/8" and greater than 12 1/8" must have split controls	

Wand Selection Chart:

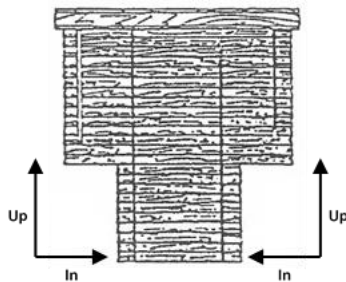
Blind Drop	Wand Length*
36" or Less	12"
36 1/8" – 60"	20"
60 1/8" – 70"	30"
70 1/8" – 80"	40"
80 1/8" – 90"	48"
90 1/8" – 100"	60"
100 1/8" – 120"	72"

*Wands over 48" long are a clear plastic.

Cutouts Specifications:

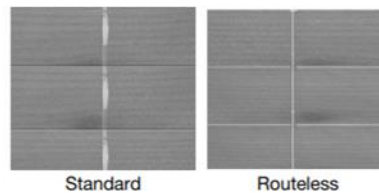
A drawing with the necessary cutout dimensions is required. The maximum cut in width is 4".

Not available with cordless lift option.



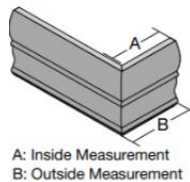
Routeless Privacy Option:

Routeless option eliminates route holes, providing the maximum privacy and light control



Decorative Valance:

- 3 1/2" decorative valance is standard.
- Maximum width on a single valance is 100 1/4" inside mount no returns, 98 3/8" inside mount with returns; valance will not be spliced. A "flush-cut" on one end can be requested so that two valances can be butted together; note there will be a visible seam.
- Valance returns are included for all Outside Mount and optional for Inside Mount
- Returns:
 - Inside Mount (IB) = 1/2" to 1" will be glued, 1 1/16 to 4 5/8" optional glued, greater than 4 5/8" will not be glued
 - Outside Mount (OB) Standard return = Cord Tilt 3 1/2" Outside Dimensions or 2 7/8" Inside Dimensions; Wand Tilt 4 3/16" Outside Dimensions or 3 9/16" Inside Dimensions
- The width of a return and the width of a valance are measured on the inside (back side) of the valance, not the outside (face) of the valance. See diagram
- ~~Magnetic Valance Attachment available at time of order, see Option Pricing for surcharge.~~



A: Inside Measurement
B: Outside Measurement

3 1/2" Decorative Valance