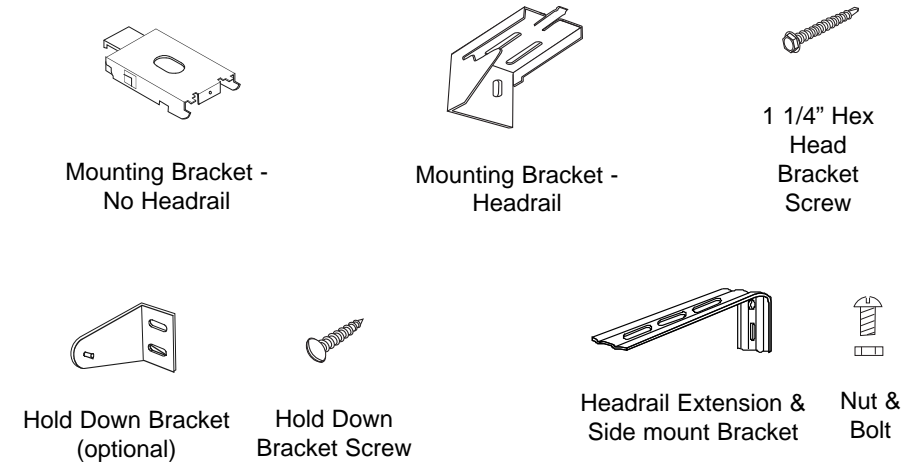


BASICS

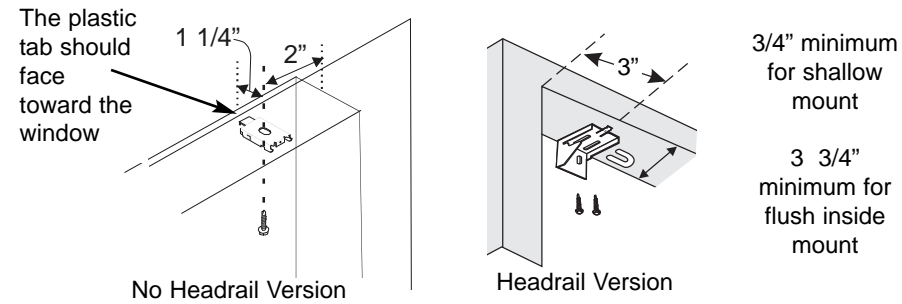
A few simple tools are required:

- Measuring tape
- Carpenters Level
- Power drill with Phillips driver bit or Phillips head Screwdriver
- Flat Head Screwdriver

Additional fasteners other than those sent with your shading may be required depending on the mounting surface. Wallboard and plaster require the use of anchors such as expansion or toggle bolts. Brick, tile or stone need special plugs and drill bits. Remember to always pre-drill holes in wood to avoid splitting.

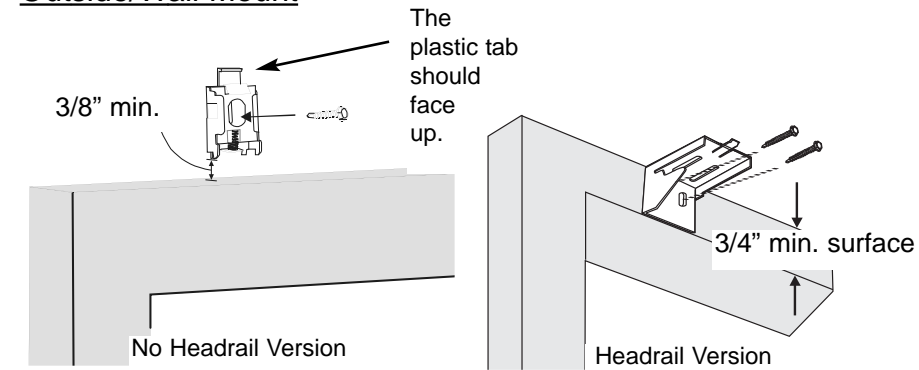


Inside Mount



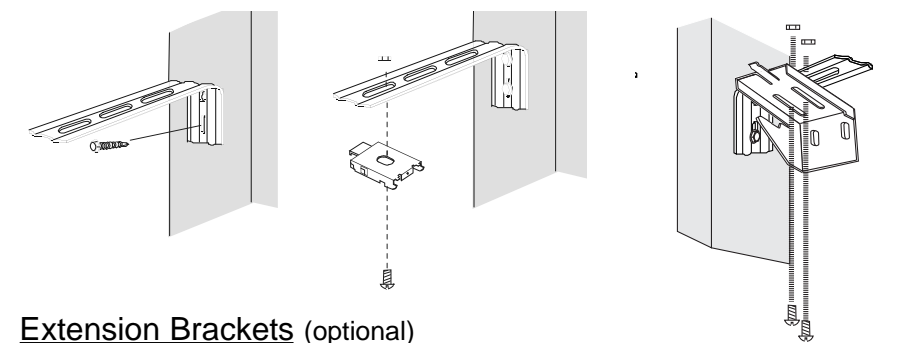
No headrail version: Make sure that the screw head is fully recessed inside the clear plastic part of the mounting bracket.

Outside/Wall Mount



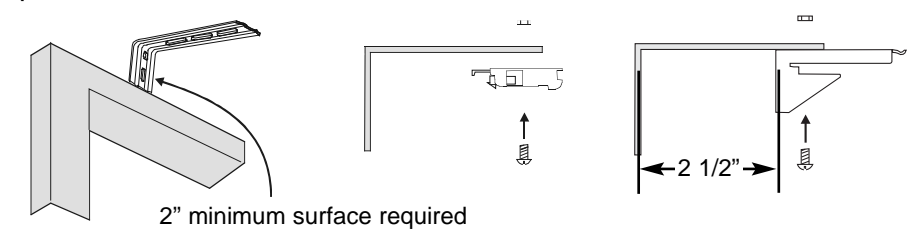
Side Mount (optional)

Measure from window sill up to desired mounting position on each side of the window frame. Mark position. Mount Side Mount Brackets on each side of window frame as shown. Make sure to confirm that headrail will sit perfectly level. Once Side Mount Brackets are installed and properly positioned, attach the Standard Mounting Brackets using the nuts and bolts provided.



Extension Brackets (optional)

Optional Extension Brackets are used to project the back of the shading up to 2 1/2" from the mounting surface. Attach the Standard Mounting Bracket to the Extension Bracket with the nut and bolt provided.

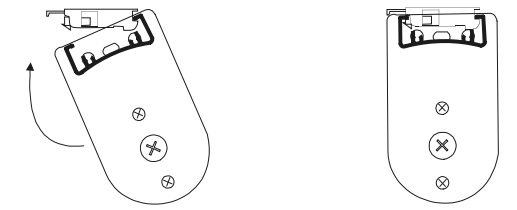


Step 2. HANGING THE SHADE

No Headrail Version

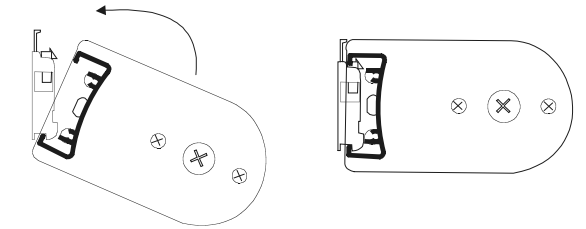
Inside Mount or Extension Bracket

Hook the rail onto the front of the bracket and rotate it until the back of the rail securely snaps into place.

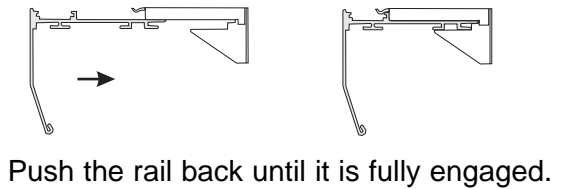


Outside/Wall Mount

Hook the rail onto the bottom of the bracket and rotate it until the back of the rail securely snaps into place.

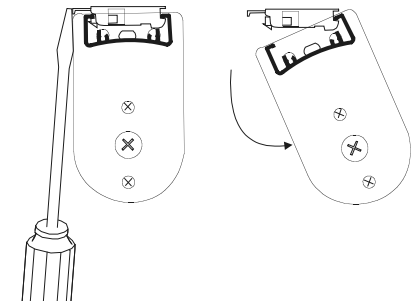


Headrail Version



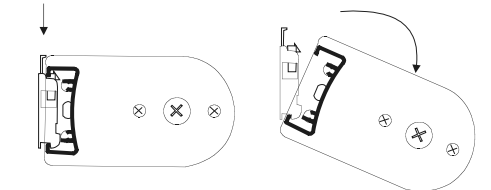
Un-Install Shade - No headrail Inside Mount

To remove the shade, partially lower the shading and use a flat head screwdriver to press the clear tab on the mounting bracket. Rotate the shade to remove.



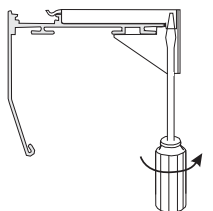
Outside/Wall Mount

Press down on clear tab and then rotate shade to release.



Un-Install Headrail

To remove the shade, partially lower the shade and insert a flat head screwdriver as shown. Twist the screwdriver until the headrail disengages from the bracket.



Step 1. BRACKET INSTALLATION

The end brackets should be located with centerlines as noted in the illustrations. Depending on the width of the shading, necessary additional brackets may be evenly spaced between the two end brackets.

Shade width	# Brackets
Up to 40"	2
>40" - 72"	3
>72" - 84"	4
>84" - 96"	5

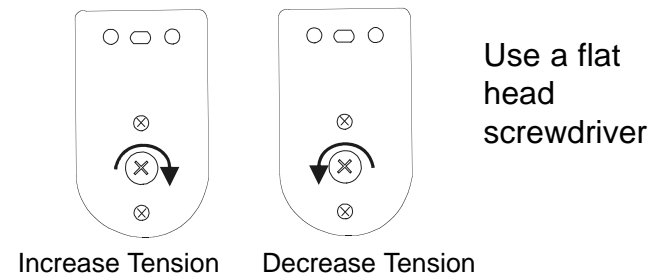
MAKE SURE MOUNTING SURFACE IS LEVEL

If the headrail or roller does not sit level, the fabric will not roll up evenly which could damage the edges of the shading fabric.

Step 3. TENSION ADJUSTMENT

If the shade does not retract fully, you may need to increase the tension by using a **flat head** screwdriver.

On a STANDARD ROLL the adjustment is made at the LEFT end of the shade. On a REVERSE ROLL the adjustment is made at the RIGHT end of the shade.

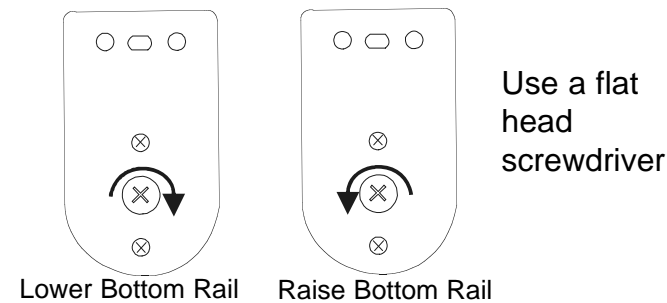


No Headrail Version pictured - follow the same instructions for headrail version. When adjustments are complete cover the screw hole with the circle label provided.

Step 4. UPSTOP ADJUSTMENT

Retract the shade and let it stop at the top. If you do not like where the upstop is set it can be adjusted, using a **flat head** screwdriver.

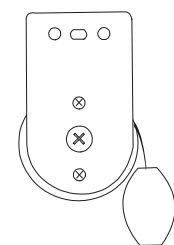
On a STANDARD ROLL the adjustment is made at the RIGHT end of the shade. On a REVERSE ROLL the adjustment is made at the LEFT end of the shade.



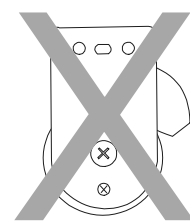
No Headrail Version pictured - follow the same instructions for headrail version. When adjustments are complete cover the screw hole with the circle label provided.

Be sure your shade is fully raised before making adjustments.

Warning: When setting the upstop, **do not** allow the bottom rail to jamb between the installation brackets. This will result in damage to the fabric.



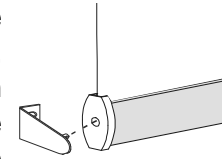
CORRECT



INCORRECT

Step 5. HOLD DOWN INSTALLATION (optional)

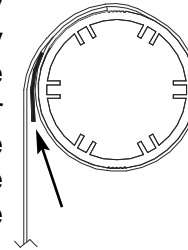
Optional Hold Down Brackets are mounted with the supplied screws. With the shade at its proper drop, place the pin of each Hold Down into the hole in each End Cap and mark the screw holes. Make sure the pins are level and aligned. Raise the shade, then screw the Hold Down Bracket into the mounting surface.



Step 6. SKEW ADJUSTMENT (if necessary)

If the shade does not raise evenly, first make sure the mounting brackets are mounted level with each other.

If the shade is not level, pull the shade all of the way down. Prepare a strip of masking tape approximately 5" long. On the side of the shade opposite of the skewing direction, and as close to the end of the roller as possible, lift the fabric toward the back of the shade using your fingers and slide the tape with the sticky side facing the roller up as far as possible. The tape is to be running parallel to the roller.

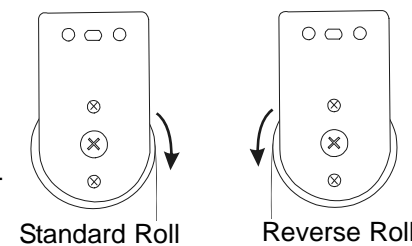


Roll the shade up and check for skewing. If the shade is still skewing, add another strip of tape on top of the first one. If the shade is now skewing to the opposite direction, tear off about 1" of tape from the last strip installed. The tape is to be torn from the end closest to the center of the shade.

TROUBLE SHOOTING

Over-extended shade (stuck in the down position)-

If the shade is pulled down past the ordered length to full extension of the fabric it may not unlock. If this happens the roller needs to be turned by hand to unlock the release device. Turn the roller a 1/4 turn in the direction that lowers the shade. Then release to allow the shade to raise.



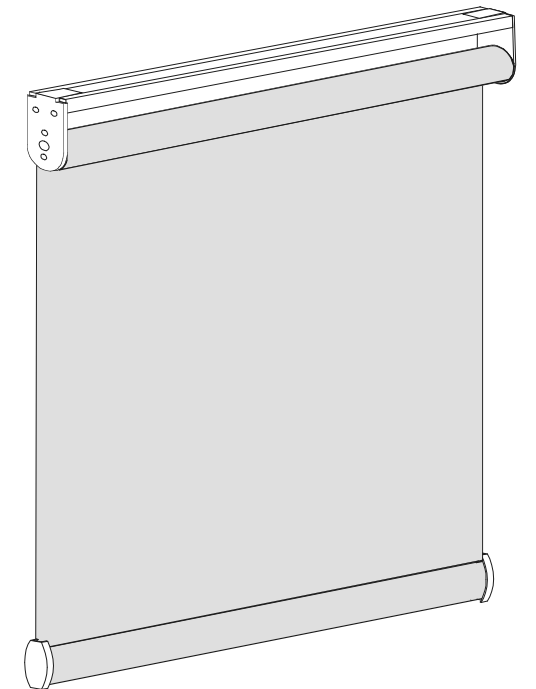
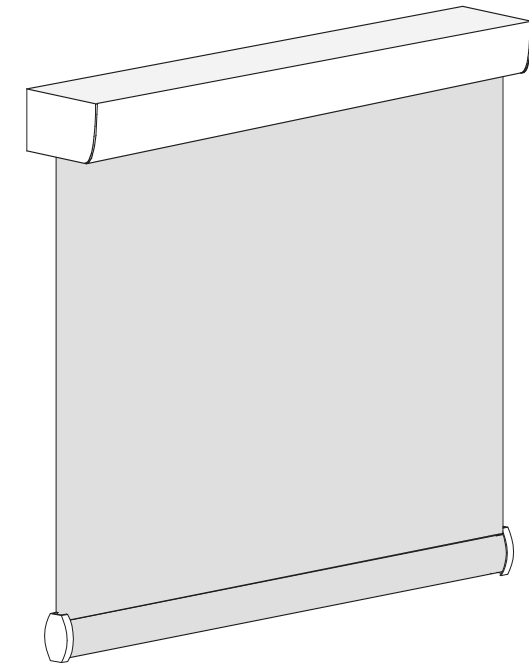
CLEANING AND CARE

Occasional light vacuuming with a soft bristle attachment or gentle feather dusting is all that is required to keep your Roller Shades looking fresh and neat. Most Roller Shades may also be ultrasonically cleaned, except those made with Phifer SheerWeave fabrics.

Phifer SheerWeave fabrics are easy to maintain and only require occasional vacuuming with a soft brush attachment or washing with mild soap. Soak a sponge or damp cloth with the soapy solution and gently wipe or blot the stain from the fabric. To dry, allow the shade to air dry completely before raising.

If the shading has any wrinkling, lower the shade and leave in the lowered position for 5 to 7 days. The heat from the sun will smooth out any light wrinkles.

Installation Instructions



Cordless Roller Shades