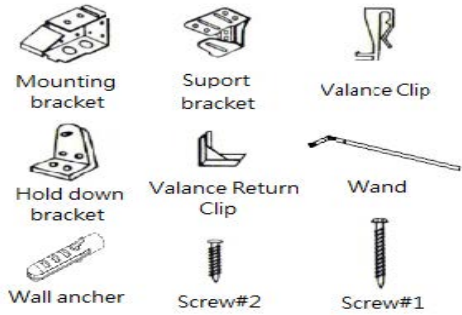


2" Cordless Faux Wood Blind Installation Instructions

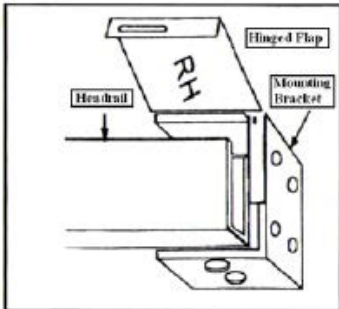
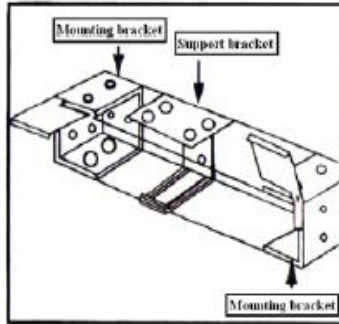
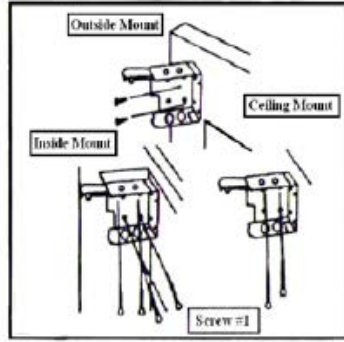
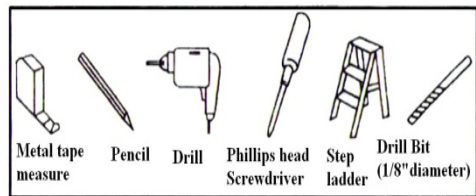
Congratulations on purchasing one of the best blinds on the market. You can take pride that your purchase will enhance the function and beauty of your home.

Components



(Note: Support brackets are included for blinds that have a width that is over 37".

Tools recommended for installation



Select the type of mount that best suits your preference.

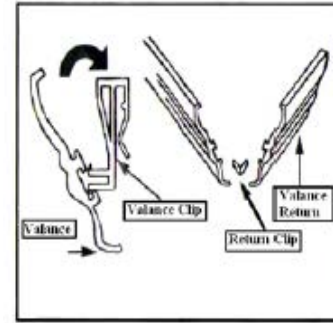
- 1) Inside mount: inside the window frame.
- 2) Outside mount: outside the window frame.
- 3) Overhead surface/ceiling mount. The brackets should be placed closer to the ends of the headrail so that the headrail is secured firmly to the brackets.

SUPPORT BRACKET

Position the support brackets as evenly as possible between the mounting brackets so that the blind is evenly secured. Make sure the support bracket is in line with the End Mounting brackets.

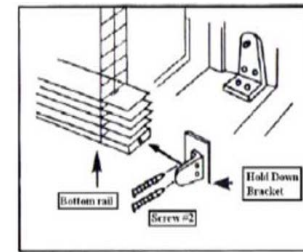
INSERTING HEADRAIL

Insert the headrail into the brackets and lock the hinged flaps down to hold the headrail in position.

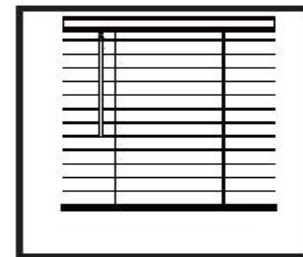


For an inside mount installation, insert the valance clips into the valance groove located on the backside of the valance. Afterwards, make sure the valance clip is securely fastened to the headrail before using your blind.

For an outside mount/ceiling mount installation, insert the valance clips into the valance groove located on the backside of the valance. Then attach the valance clip to the headrail. Afterwards, insert the return clip into the valance return. Note that the insert clip needs to attach to the mitered (angle cut) side of the valance return for proper installation. Finally, you have the option to attach the valance return assembly to the valance ends for the complete valance.



Hold Down Brackets(Optional)
Using two small screw, screw hold down bracket to window or wall. Snap bracket pin ends into the hole at the bottom rail end.
Note: the use of hold down bracket is recommended but is not a requirement for the normal function of blind.



Once you finish the installation, lower the blind and check that the blind is balanced.

Note: The blind should not rebound and fall.

Keep your blind looking its best by periodically cleaning it with either a soft cloth, feather duster, dusting mitt or the brush attachment from a vacuum cleaner. Please avoid using solvents or abrasive solutions to clean the blind since this may damage the blind.